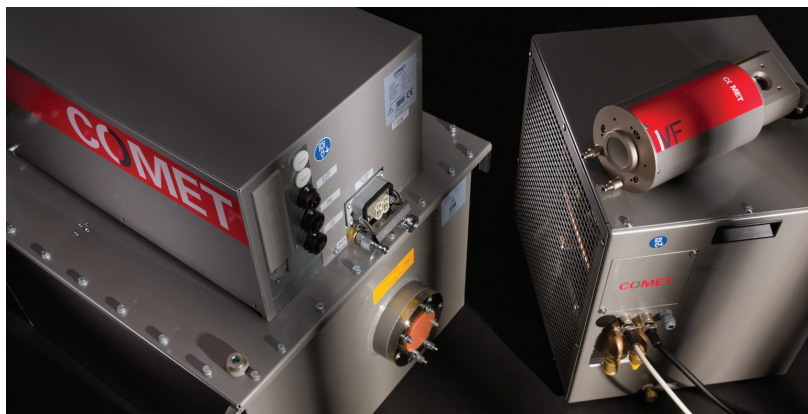


# XRS-225VF



## Features and Customer Benefits

### Features:

- Focal spot adaptable to application
- High stable kV - low ripple
- PC-controlled via RS232
- Integrated I/O for external safety signals
- 4 pre-set focal spot sizes optimised to power

### Customer Benefits:

- Higher throughput than micro-focus sources
- Focal spot same resolution in all directions
- Low maintenance thanks to sealed tube technology

### Competition and Substitution

- Micro-focus sources

### Typical Applications

- 2D imaging with FP
- Computer Tomography
- Film replacement
- High resolution at medium magnification

## Technical Specs XRS-225VF

TUBE MXR-225VF	
Ordering No.	915373.51
Nominal tube voltage	225 kV
Continuous rating	290W, 540W, 800W, 1600W
Focal spot acc. EN 12543	d = 0.25mm, 0.3mm, 0.5mm, 0.8mm
Filament current, max.	4.0 A
Filament voltage, typical	5.2 V
Inherent filtration	0.8 +/- 0.1 mm Be
Target material	W
Target angle	11°
Radiation coverage	40° x 30°
Leakage radiation, max.	5 mSv/h
Cooling medium	Water
Cooling medium flow, min.	4l/min
Temperature at inlet, max.	35 °C
Weight	11 kg
Terminal type	R24
Mounting flange for Spring-loaded cable	4512-104-87131
Mounting flange for non Spring-loaded cable	4512-104-87121



GENERATOR						CABLE	COOLER	
Type	Voltage range (kV)	Current range (mA)	Max. power (W)	Output connector	Ordering No. flange	Type Ordering No.	Type	Ordering No.
XRP-225VF	10-225	22.5	2250	R28	4512-104-87111	P3/250-R24SL-R28SL-5, 10, 15, 20m	XRC-3012-WA	20049308

## COMET

Technology with Passion

COMET AG, Herrengasse 10, CH-3175 Flamatt  
 T +41 31 744 90 00, F +41 31 744 90 90  
 info@comet-xray.com, www.comet-xray.com

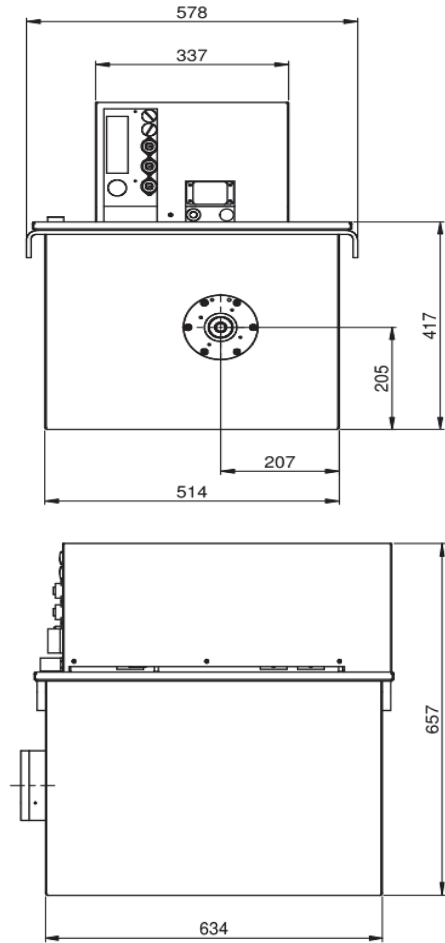
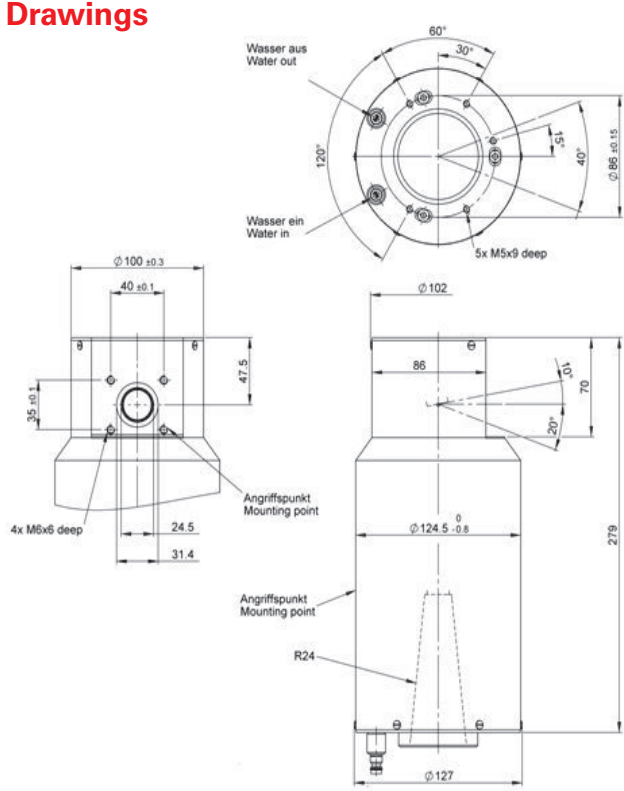


For more information, contact:

**Shield Alloys (India) Pvt. Ltd.**

77-C, Govind Nivas, Ranade Road Extension,  
 Dadar, Mumbai - 400 028, India.  
 Tel: +91 - 22 - 24452019, Fax: +91 - 22 - 24468947  
 E-mail: shield@vsnl.com

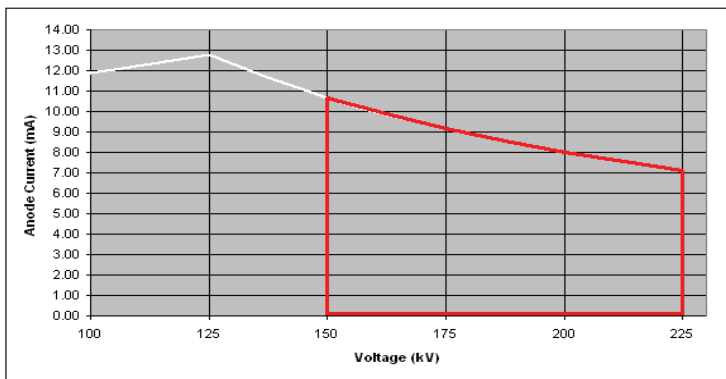
## Drawings



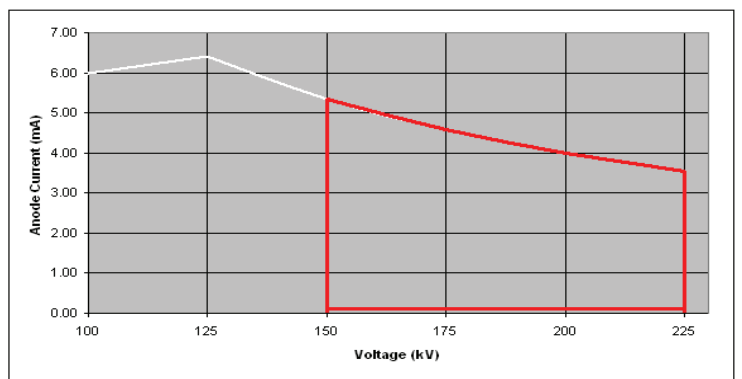
## Power Rating Diagrams

Field of operation (red area)

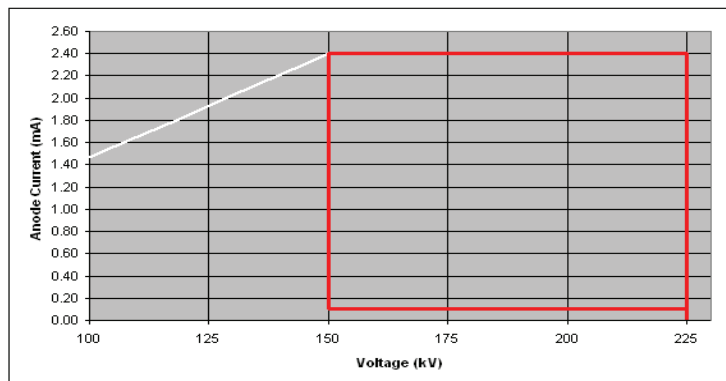
Power rating at max. filament current; Focal spot 0.8mm



Power rating at max. filament current; Focal spot 0.5mm



Power rating at max. filament current; Focal spot 0.3mm



Power rating at max. filament current; Focal spot 0.25mm

