
COMET
Technology with Passion



For more information, contact:

Shield Alloys (India) Pvt. Ltd.

77-C, Govind Nivas, Ranade Road Extension,
Dadar, Mumbai - 400 028, India.

Tel: +91 - 22 - 24452019, Fax: +91 - 22 - 24468947

E-mail: shield@vsnl.com

MXR-600HP/11

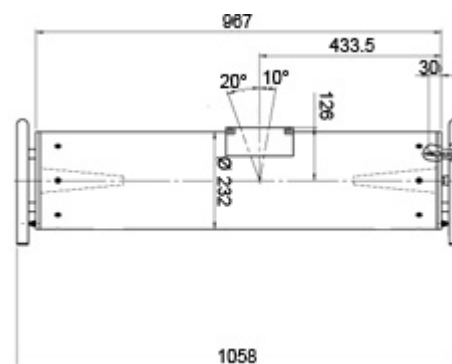


Product specifications

Tube name	MXR-600HP/11
Ordering Number	915378.51
Unipolar / Bipolar	Bipolar
Nominal tube voltage	600 kV
Continuous rating	700 W 1500 W
Focal spot (EN 12543)	d = 0.4 mm *) d = 1.0 mm
Filament current max.	4.1 A 4.6 A
Filament voltage, typical	2.3 V 6.8 V
Inherent filtration	5.0 mm Be
Target material	tungsten
Target angle	11°
Radiation coverage	40° x 30°
Leakage radiation	5 mSv/h
Cooling medium	Oil

Cooling medium flow, min.	14 l/min
Pressure at cooling medium inlet	10 bar
Cooling medium temperature	50°C
Weight	145 kg
Terminal type	R30

Outline drawing



Tube diagram

